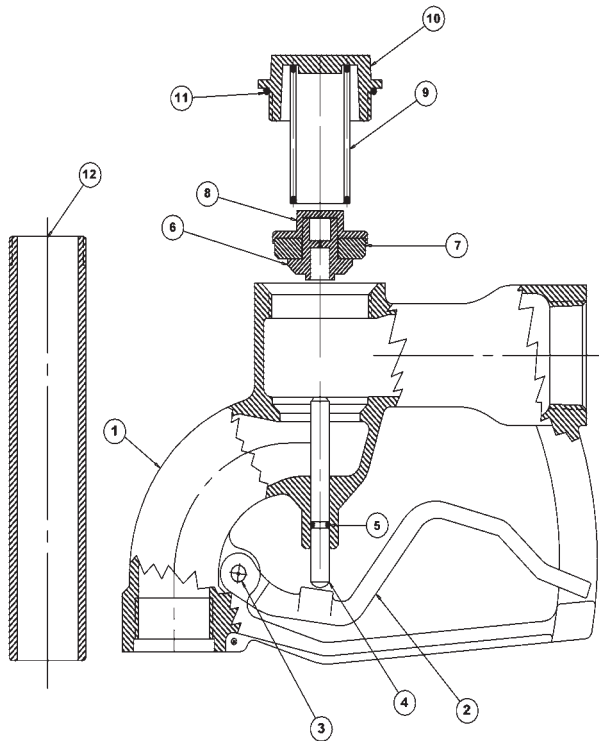


## 1250-94 Series Gravity Nozzles



### Bill of Materials

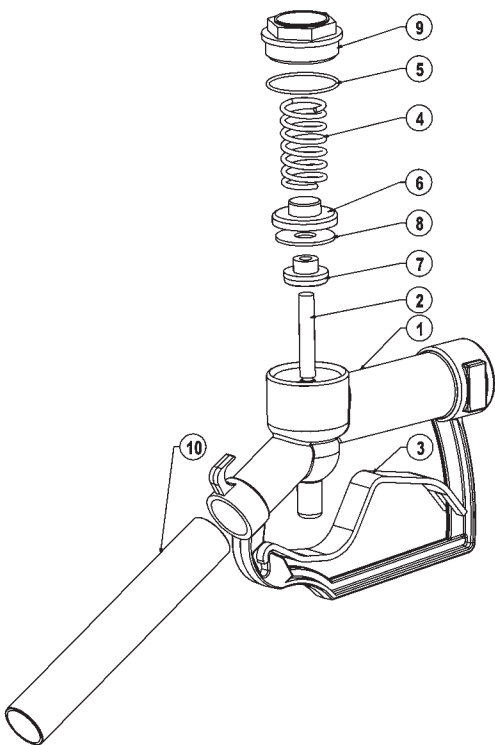
Item #	Description	Part #	Qty
1	body	---	1
2	trigger	use kit <b>1250TK</b>	1
3	trigger pin	use kit <b>1250TK</b>	1
4	valve stem plunger	use kit <b>1250SK</b>	1
5	plunger O-ring	<b>500-7A2</b>	1
6	valve base	use kit <b>1250SK</b>	1
7	valve seal	use kit <b>1250SK</b>	1
8	valve plate	use kit <b>1250SK</b>	1
9	valve spring	<b>SPRG-L368</b>	1
10	aluminum cap	<b>1250-2</b>	1
11	Buna O-ring cap	<b>O-RING#132</b>	1
12	aluminum spout	<b>1250-3</b>	1

### Repair Kits

Part #	Description	Includes Item #
<b>1250TK</b>	trigger, pin	2, 3
<b>1250SK</b>	plunger, O-rings, valve seal, valve base, valve plate	4, 5, 6, 7, 8, 11

## 900 Series Utility Nozzles

Petroleum  
Replacement Parts



### Bill of Materials

Item #	Description	Part #	Qty
1	body	---	1
2	plunger	use kit <b>900SK</b>	1
3	trigger	<b>900TK</b>	1
4	valve spring	<b>SPRG-972</b>	1
5	cap O-ring	<b>112099</b>	1
6	holder valve gasket	use kit <b>900SK</b>	1
7	holder button gasket	use kit <b>900SK</b>	1
8	valve seal	use kit <b>900SK</b>	1
9	cap	<b>875-3</b>	1
10A	1" spout	<b>875-4</b>	1
10B	3/4" spout	<b>234-80-4</b>	1
10C	1" bent spout	<b>875-5</b>	1
10D	3/4" bent spout	<b>234-80-5</b>	1
not illustrated	3/4" FNPT inlet reducer	<b>900RB</b>	1

### Repair Kits

Part #	Description	Includes Item #
<b>900TK</b>	trigger	3
<b>900SK</b>	plunger assembly, valve assembly, cap O-ring	2, 4, 5, 6, 7, 8, 9

Product instruction sheets and technical data can be viewed on our website at [dixongroupcanada.com](http://dixongroupcanada.com) by selecting the 'Resources' menu.