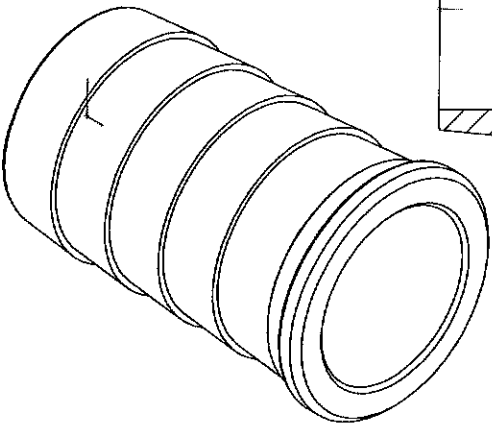
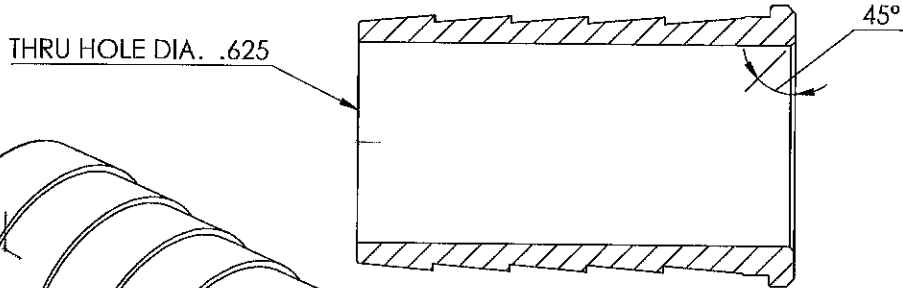
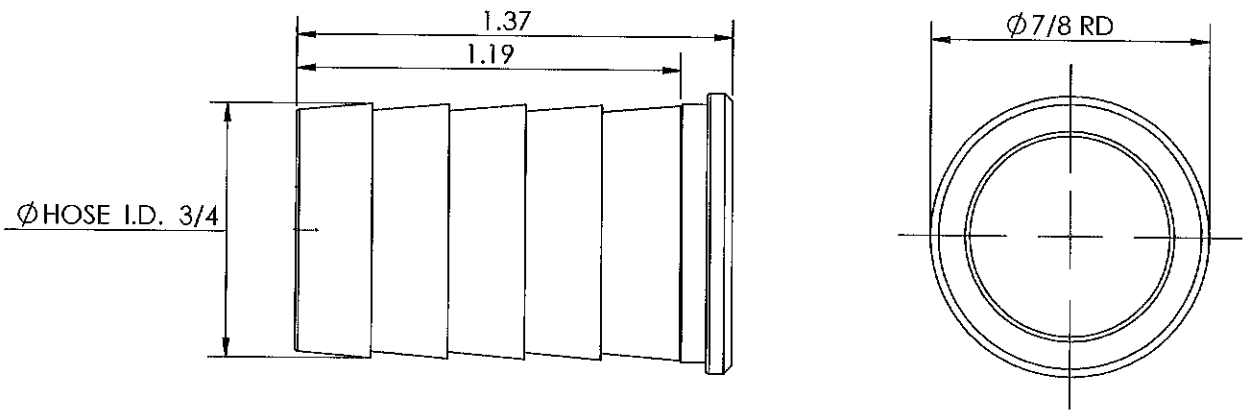

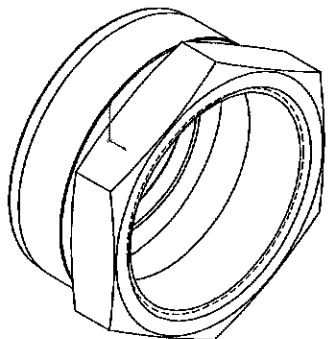
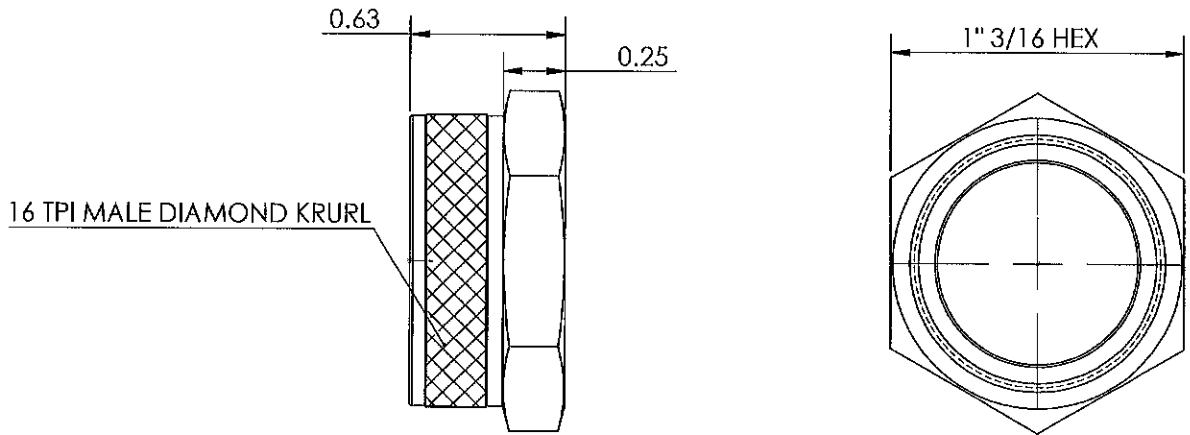



LINE DRAWING NOT FOR PRODUCTION PURPOSES



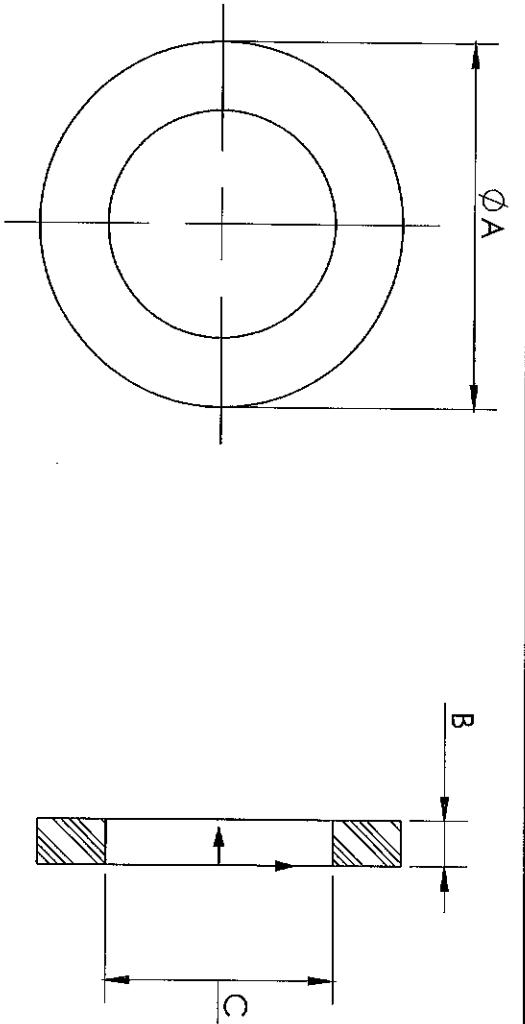
THIS DRAWING CONTAINS INFORMATION DEEMED PROPRIETARY TO DIXON BRASS AND IS SO TO BE USED ONLY FOR THE PURPOSE FOR WHICH IT IS SUBMITTED, AND FURTHER, SHALL NOT BE COPIED IN WHOLE OR IN PART WITHOUT EXPRESS WRITTEN PERMISSION FIRST OBTAINED FROM DIXON BRASS.			
UNLESS OTHERWISE SPECIFIED:			
DIMENSIONS ARE IN INCHES		 Dixon Brass Westmont, Illinois USA	DRAWN P. MONAGHAN DATE 1/4/16
TOLERANCES: ANGLES: 10°-30° .X (±.015) .XX (±.010) .XXX (±.005)			APPROVED ECO NO.
DIMENSIONS PER ANSI Y14.5		TITLE: 3/4 BARB GARDEN HOSE STEM	DRAWING NOT REPRODUCED TO SCALE DWG. NO. 5911212S REV G

LINE DRAWING NOT FOR PRODUCTION PURPOSES



THIS DRAWING CONTAINS INFORMATION DEEMED PROPRIETARY TO DIXON BRASS AND IS SO TO BE USED ONLY FOR THE PURPOSE FOR WHICH IT IS SUBMITTED, AND FURTHER, SHALL NOT BE COPIED IN WHOLE OR IN PART WITHOUT EXPRESS WRITTEN PERMISSION FIRST OBTAINED FROM DIXON BRASS.				
UNLESS OTHERWISE SPECIFIED:		 Dixon Brass Westmont, Illinois USA	DRAWN P. MONAGHAN APPROVED	DATE 1/11/16 DATE
DIMENSIONS ARE IN INCHES TOLERANCES: ANGLES: $\pm 0^{\circ}30'$.X (.015) .XX (.010) .XXX (.005)			ECO NO.	
DIMENSIONS PER ANSI Y14.6		DRAWING NOT REPRODUCED TO SCALE		
TITLE: GARDEN HOSE NUT		SIZE: A	DWG. NO.: 5911212N	REV: J

REV	COMMENTS	DATE
B	REDRAWN	5/31/19



MATERIAL	PART NUMBER	A	B	C
BLACK PEROXIDE CURE EPDM NSF61.70 DURO WITH WHITE STRIPE	5911212W	1.000 \pm .010	.125 \pm .005	.625 \pm .010
BLACK SBR 80 DURO	5911616W	1.270 \pm .020	.125 \pm .005	.860 \pm .010

MATERIAL	PART NUMBER	A	B	C
BLACK PEROXIDE CURE EPDM NSF61.70 DURO WITH WHITE STRIPE	5911212WEPDM	1.000 \pm .010	.125 \pm .005	.625 \pm .010
BLACK SBR 80 DURO	5911616WEPDM	1.270 \pm .020	.125 \pm .005	.860 \pm .010

THIS DRAWING CONTAINS INFORMATION DEEMED PROPRIETARY TO DIXON BRASS AND IS SO TO BE USED ONLY FOR THE PURPOSE FOR WHICH IT IS SUBMITTED, AND FURTHER SHALL NOT BE COPIED IN WHOLE OR IN PART WITHOUT EXPRESS WRITTEN PERMISSION FROM DIXON BRASS. UNLESS OTHERWISE SPECIFIED: DIMENSIONS ARE IN INCHES. TOLERANCES: ANGLES: TO 30' X (.010) XX (.005) XXX (.005) DIMENSIONS PER ANSI Y14.5

DIXON
The Right Connection™
Dixon Brass
Westmont, Illinois USA

DATE: 5/31/19
DRAWN: P. MONAGHAN
APPROVED: [Signature]
ECO NO. [Blank]

TITLE: GARDEN HOSE WASHER
SIZE: A
DWG. NO.: 591 SERIES
REV: B