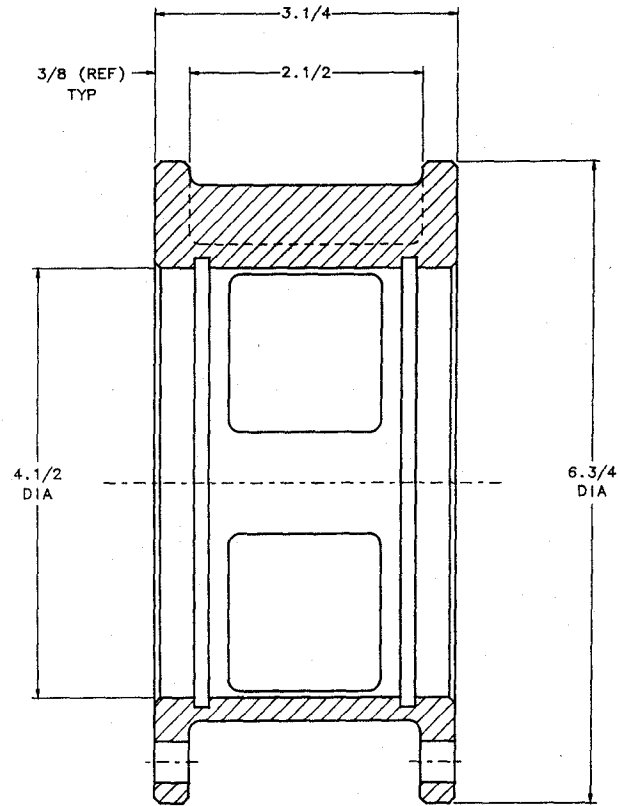
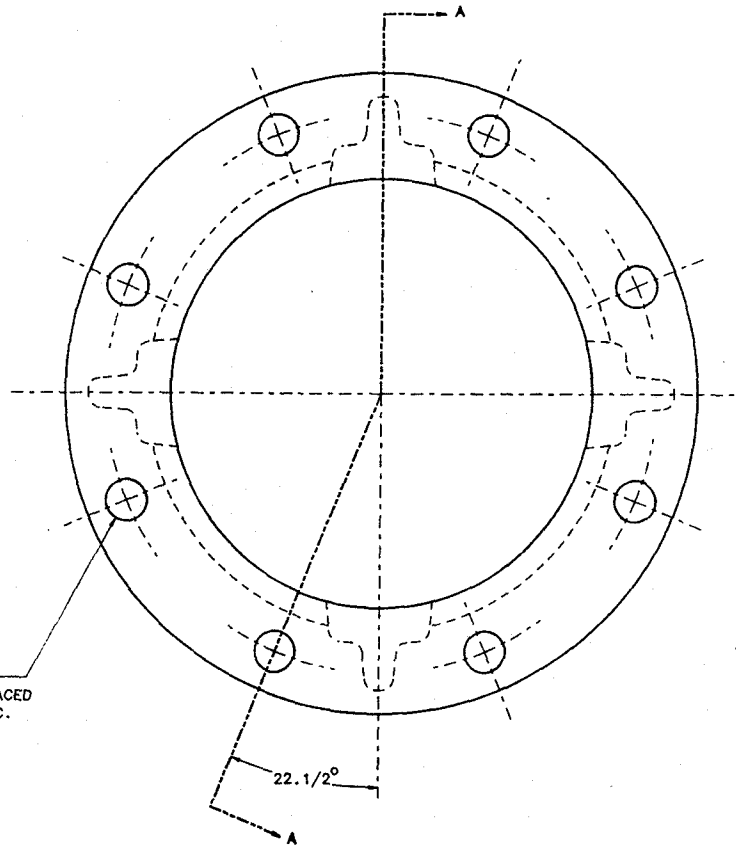


2269

Customer DWG.



SECTION A-A



7/16 DIA THRU
8 HOLES EQUALLY SPACED
ON A 5.7/8 DIA B.C.
(BOTH FLANGES)

AGREEMENT TO MAINTAIN CONFIDENTIALITY

This drawing is owned by Dixon Valve & Coupling Co. and shall be returned upon demand. It is loaned on condition that it shall not be copied or reproduced or submitted to others without the owners consent. In accepting it subject to this condition the recipient further agrees that this drawing or any design detail or concept disclosed herein shall not be used in any way detrimental to or in competition with the owner. If the recipient does not agree to the terms of this agreement they shall return this drawing immediately.



The Right Connection™

		DIXON		DIXON VALVE & COUPLING CO. U. S. A.	
		TITLE: TANK TRUCK FLANGED SIGHT FLOW INDICATOR			
		PART #	DRWN. MDS	CHKD.	APPR. <i>GW</i>
		4-1460-AL	02/13/91		
		MAT'L: ALUMINUM		2269	
REV. BY	DATE	DESCRIPTION			

CUSTOMER DRAWING

Customer DWG