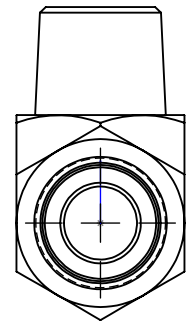
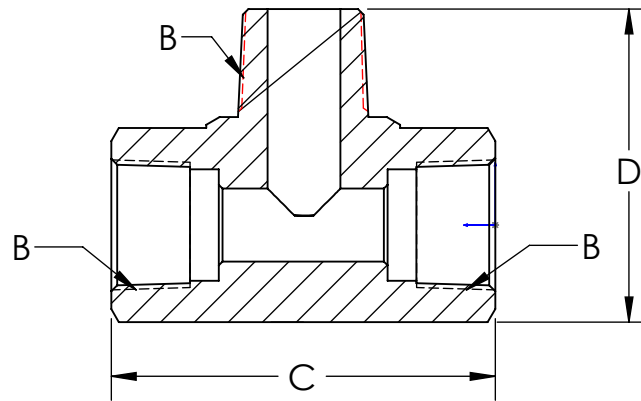
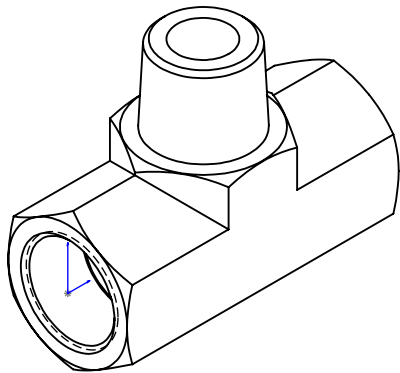


# LINE DRAWING NOT FOR PRODUCTION PURPOSES



PART NUMBER	NPT THREAD B	C	D	STD. PKG.	LBS. PER 100 PCS
3240202SS	1/8-27	1.80	1.22	25	17
3240404SS	1/4-18	1.97	1.47	25	28
3240606SS	3/8-18	2.01	1.55	25	31
3240808SS	1/2-14	2.36	2.06	25	56
3241212SS	3/4-14	2.86	2.35	10	114
3241616SS	1'-11 1/2	3.38	2.66	5	150

MATERIAL FORGED 316 STAINLESS STEEL

**PROPRIETARY AND CONFIDENTIAL**

This drawing is owned by Dixon Valve & Coupling Co. and shall be returned upon demand. It is loaned on condition that it shall not be copied or reproduced or submitted to others without the owners consent. In accepting it, subject to this condition, the recipient further agrees that this drawing or any design detail or concept disclosed herein shall not be used in any way detrimental to or in competition with the owner. If the recipient does not agree to the terms of this agreement they shall return this drawing immediately. The information contained in this drawing is subject to change without notice.



The Right Connection™  
DIXONVALVE.COM

**Dixon Brass**  
Westmont, Illinois USA

DRAWN P. MONAGHAN	DATE 4/17/23
APPROVED	DATE
ECO NO.	

TITLE:

MALE BRANCH TEE

DO NOT SCALE THIS DRAWING

SIZE <b>A</b>	DWG. NO. 324SS SERIES	REV A
------------------	--------------------------	----------