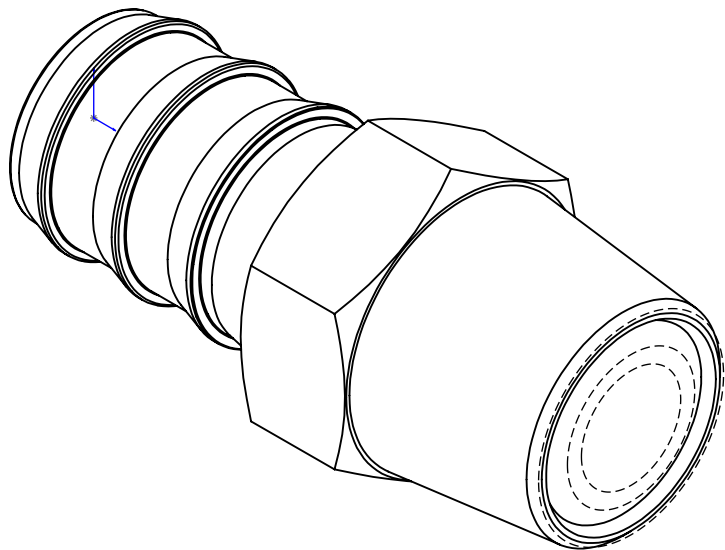
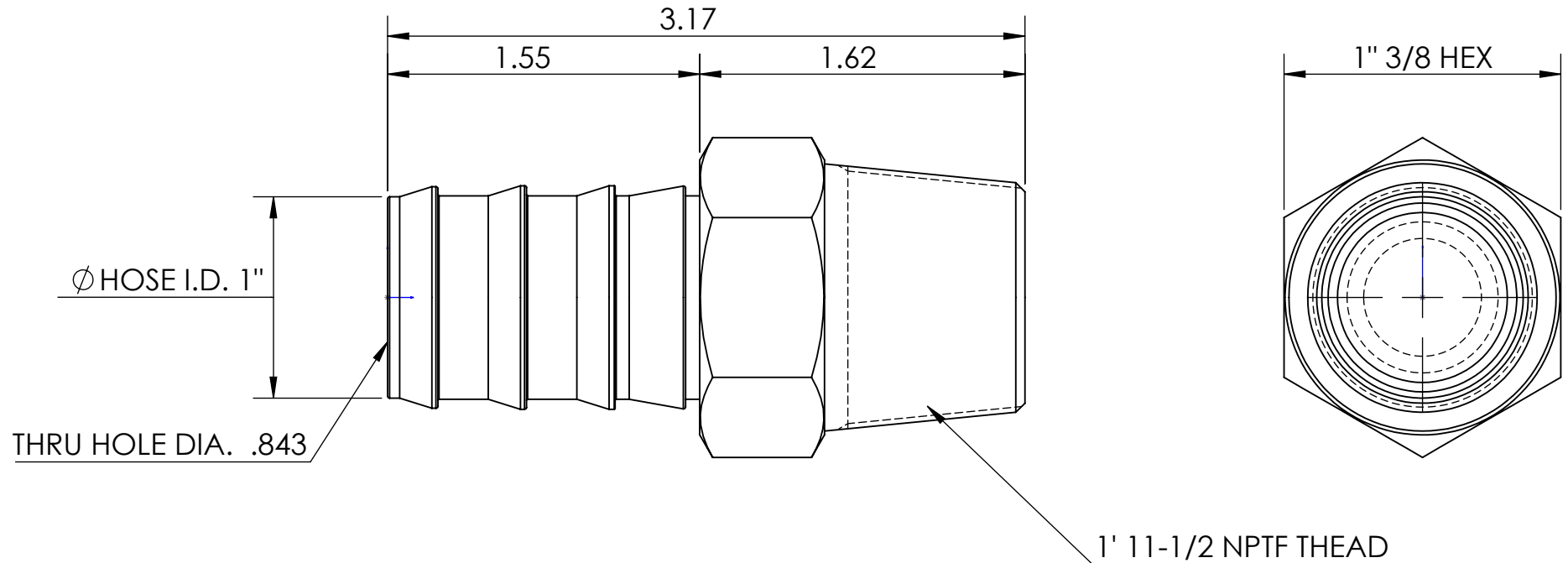



LINE DRAWING NOT FOR PRODUCTION PURPOSES



2721616C - C360 Brass
 2721616SS - 303 SS
 with yellow cap 2721600W

THIS DRAWING CONTAINS INFORMATION DEEMED PROPRIETARY TO DIXON BRASS AND IS SO TO BE USED ONLY FOR THE PURPOSE FOR WHICH IT IS SUBMITTED, AND FURTHER, SHALL NOT BE COPIED IN WHOLE OR IN PART WITHOUT EXPRESS WRITTEN PERMISSION FIRST OBTAINED FROM DIXON BRASS.				
UNLESS OTHERWISE SPECIFIED:				
DIMENSIONS ARE IN INCHES TOLERANCES: ANGLES: $\pm 0^{\circ}30'$.X ($\pm .015$) .XX ($\pm .010$) .XXX ($\pm .005$) DIMENSIONS PER ANSI Y14.5	 The Right Connection™	Dixon Brass Westmont, Illinois USA		
		DRAWN P. MONAGHAN	DATE 9/28/15	
	APPROVED		DATE	
	ECO NO.		DRAWING NOT REPRODUCED TO SCALE	
TITLE: 1" X 1" NPTF MALE HOSE BARB (LOCK - ON)		SIZE A	DWG. NO. 2721616T	
		REV B		