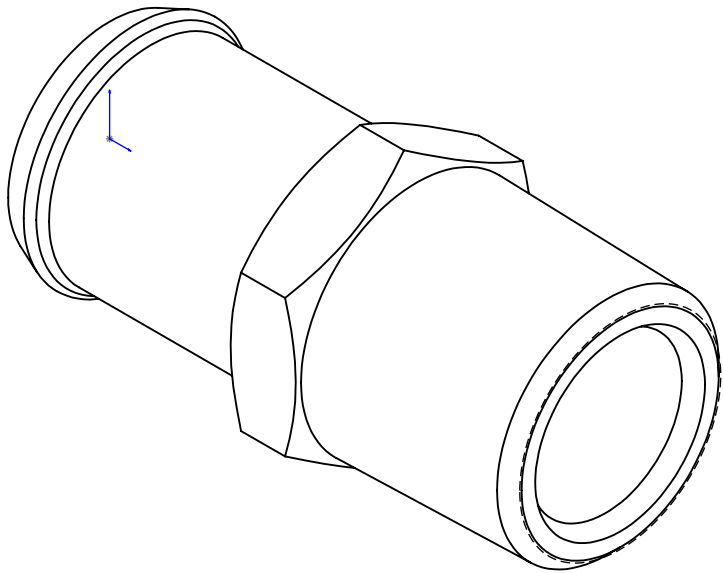
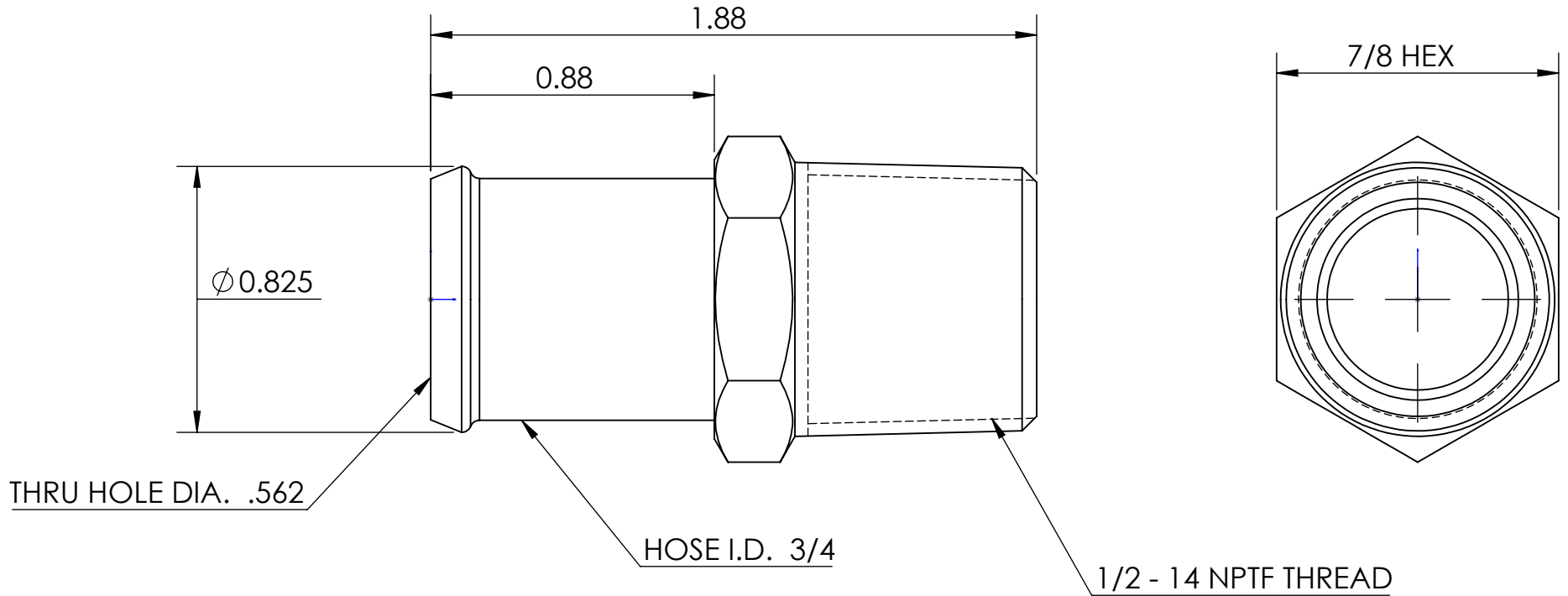



LINE DRAWING NOT FOR PRODUCTION PURPOSES



THIS DRAWING CONTAINS INFORMATION DEEMED PROPRIETARY TO DIXON BRASS AND IS SO TO BE USED ONLY FOR THE PURPOSE FOR WHICH IT IS SUBMITTED, AND FURTHER, SHALL NOT BE COPIED IN WHOLE OR IN PART WITHOUT EXPRESS WRITTEN PERMISSION FIRST OBTAINED FROM DIXON BRASS.				
UNLESS OTHERWISE SPECIFIED:				
DIMENSIONS ARE IN INCHES TOLERANCES: ANGLES: ±0°30' .X (±.015) .XX (±.010) .XXX (±.005) DIMENSIONS PER ANSI Y14.5	 The Right Connection™	Dixon Brass Westmont, Illinois USA		
		DRAWN P. MONAGHAN APPROVED	DATE 8/3/15 DATE	
	TITLE: BEADED HOSE BARB 3/4 X 1/2 - 14NPTF		DRAWING NOT REPRODUCED TO SCALE	
	SIZE A		DWG. NO. 268B1208	REV A