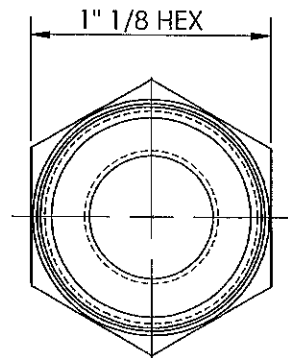
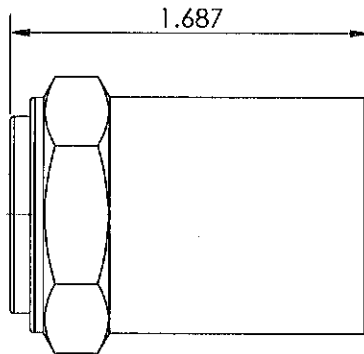
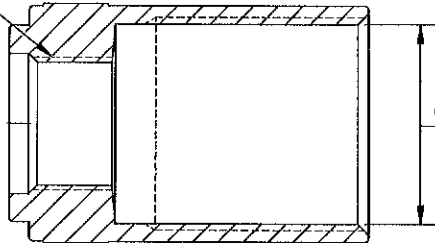


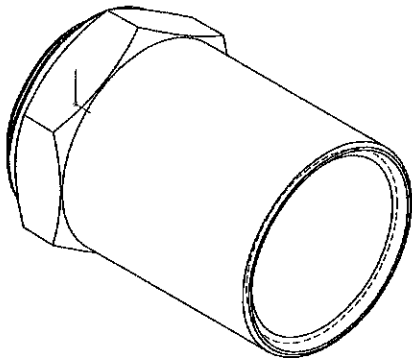
LINE DRAWING NOT FOR PRODUCTION PURPOSES




5/8 -18 UNF-2B
HOSE I.D. 1/2

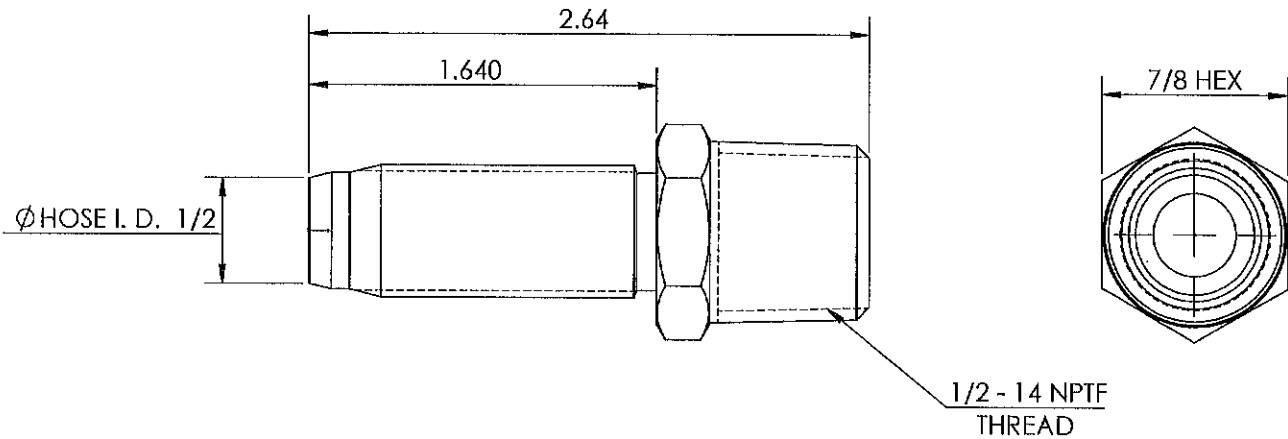


Ø HOSE O.D. 15/16

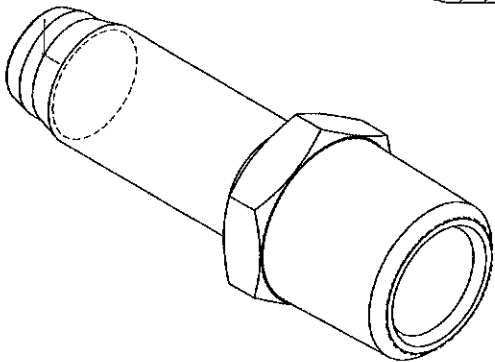
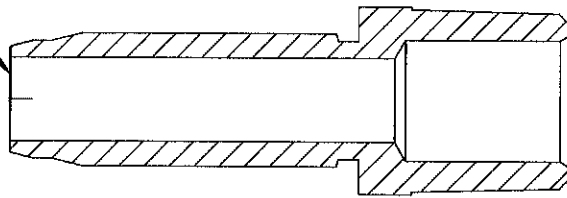



THIS DRAWING CONTAINS INFORMATION DEEMED PROPRIETARY TO DIXON BRASS AND IS SO TO BE USED ONLY FOR THE PURPOSE FOR WHICH IT IS SUBMITTED, AND FURTHER, SHALL NOT BE COPIED IN WHOLE OR IN PART WITHOUT EXPRESS WRITTEN PERMISSION FIRST OBTAINED FROM DIXON BRASS.			
UNLESS OTHERWISE SPECIFIED:			
DIMENSIONS ARE IN INCHES		 The Right Connection™	Dixon Brass Westmont, Illinois USA
TOLERANCES: ANGLES: ±0°30' .X (±.010) .XX (±.010) .XXX (±.005)			
TITLE: REUSABLE FERRULE		DRAWING NOT REPRODUCED TO SCALE	
SIZE A	DWG. NO. 1800815F	REV C	

LINE DRAWING NOT FOR PRODUCTION PURPOSES



THRU HOLE DIA. .390



THIS DRAWING CONTAINS INFORMATION DEEMED PROPRIETARY TO DIXON BRASS AND IS TO BE USED ONLY FOR THE PURPOSE FOR WHICH IT IS SUBMITTED, AND FURTHER, SHALL NOT BE COPIED IN WHOLE OR IN PART WITHOUT EXPRESS WRITTEN PERMISSION FIRST OBTAINED FROM DIXON BRASS.			
UNLESS OTHERWISE SPECIFIED:			
DIMENSIONS ARE IN INCHES			
TOLERANCES:			
ANGLES: $\pm 0^{\circ}30'$			
.X ($\pm .015$)			
.XX ($\pm .010$)			
.XXX ($\pm .005$)			
DIMENSIONS PER ANSI Y14.5			
 Dixon Brass Westmont, Illinois USA	DRAWN P. MONAGHAN APPROVED	DATE 4/28/15 DATE	ECO NO.
	DRAWING NOT REPRODUCED TO SCALE		
TITLE: REUSABLE MALE STEM		SIZE A	DWG. NO. 1820808S
		REV B	