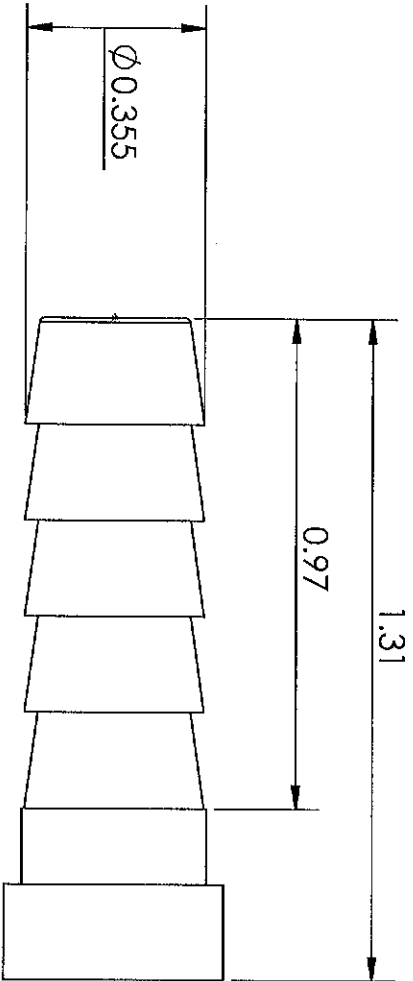
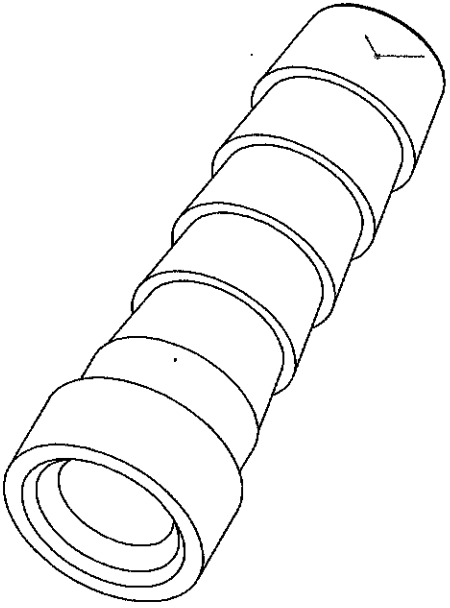
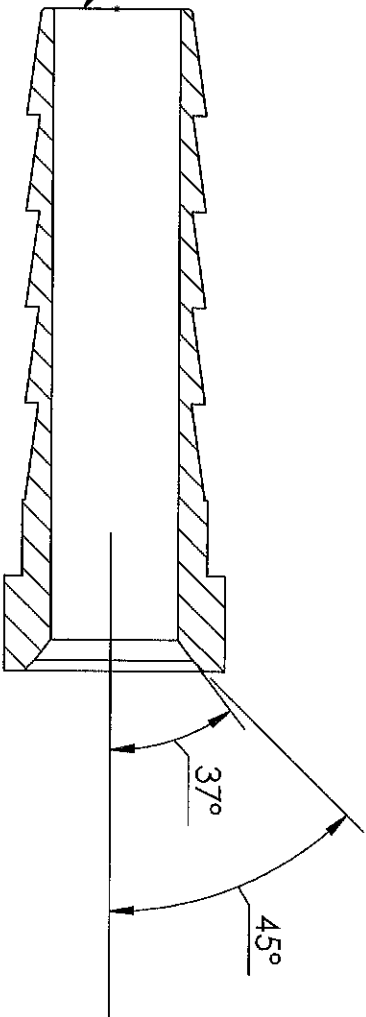


LINE DRAWING NOT FOR PRODUCTION PURPOSES



THRU HOLE DIA. .250



THIS DRAWING CONTAINS INFORMATION DEEMED PROPRIETARY TO DIXON BRASS AND IS SO TO BE USED ONLY FOR THE PURPOSE FOR WHICH IT IS SUBMITTED, AND FURTHER, SHALL NOT BE COPIED IN WHOLE OR IN PART WITHOUT EXPRESS WRITTEN PERMISSION FIRST OBTAINED FROM DIXON BRASS. UNLESS OTHERWISE SPECIFIED.

DIMENSIONS ARE IN INCHES

TOLERANCES:

ANGLES:  $\pm 0^{\circ}30'$

X ( $\pm 0.015$ )

.XX ( $\pm 0.010$ )

.XXX ( $\pm 0.005$ )

DIMENSIONS PER ANSI Y14.5



**Dixon Brass**  
Westmont, Illinois USA

TITLE:

FEMALE SWIVEL STEM  
DUAL ANGLE SEAT

DRAWN

P. MONAGHAN

APPROVED

DATE

ECO NO.

DATE

3/11/14

DATE

DATE

DATE

DRAWING NOT REPRODUCED TO SCALE

SIZE

A

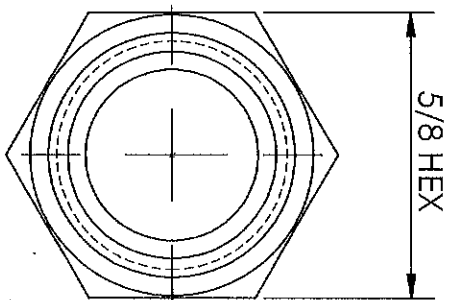
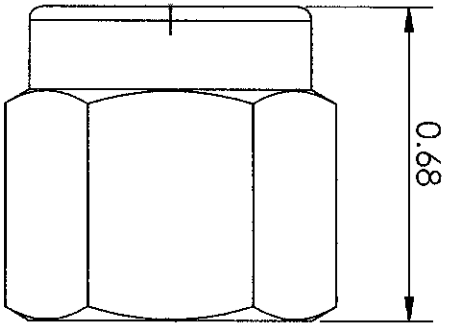
DWG. NO.

1430508S

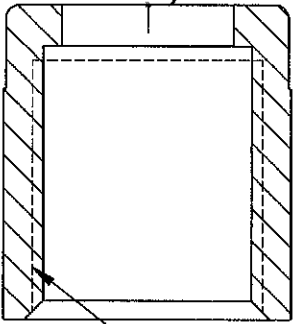
REV

D

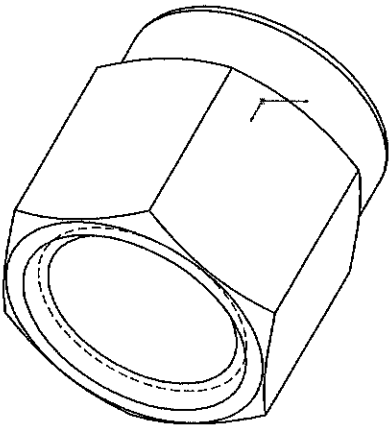
LINE DRAWING NOT FOR PRODUCTION PURPOSES



THRU HOLE DIA.  
0.378  
0.373



1/2 - 20 UNF  
THREAD



THIS DRAWING CONTAINS INFORMATION DEEMED PROPRIETARY TO DIXON. BRASS AND IS SO TO BE USED ONLY FOR THE PURPOSE FOR WHICH IT IS SUBMITTED, AND FURTHER, SHALL NOT BE COPIED IN WHOLE OR IN PART WITHOUT EXPRESS WRITTEN PERMISSION FIRST OBTAINED FROM DIXON BRASS. UNLESS OTHERWISE SPECIFIED:

DIMENSIONS ARE IN INCHES

TOLERANCES:

ANGLES: ±0°30'

.X (±.015)

.XX (±.010)

.XXX (±.005)

DIMENSIONS PER ANSI Y14.5



**Dixon Brass**  
Westmont, Illinois USA

TITLE:

SAE FEMALE SWIVEL NUT

DRAWN

P. MONAGHAN 5/20/14

APPROVED DATE

ECO NO.

DRAWING NOT REPRODUCED TO SCALE

SIZE

A

DWG. NO.

1440408N

REV

C