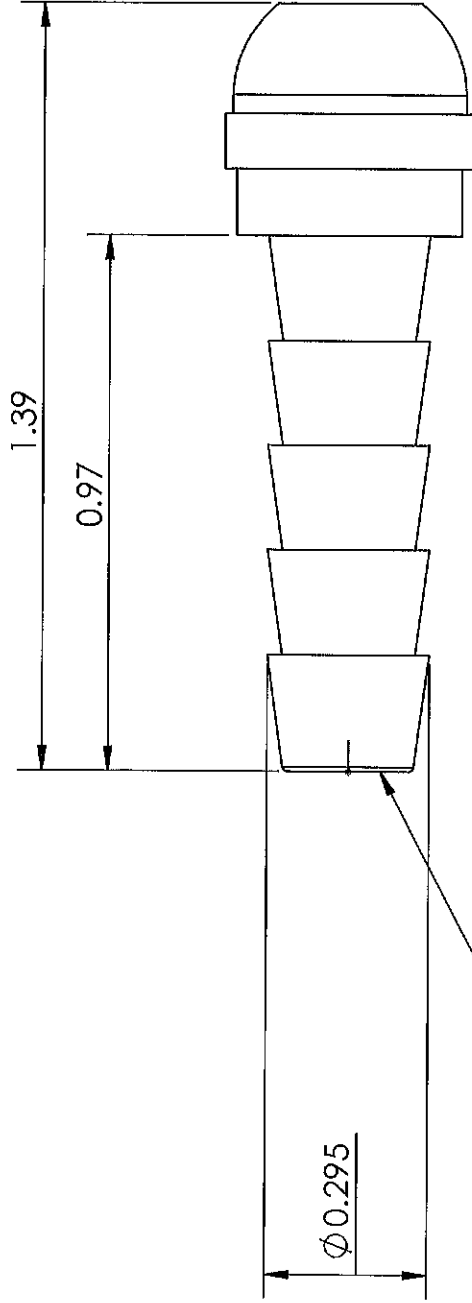
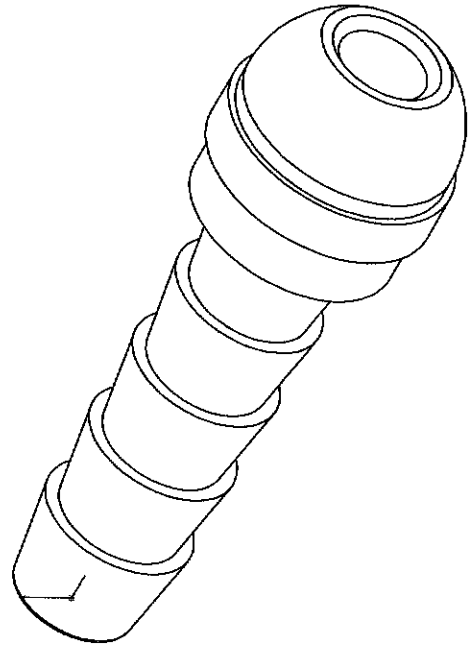


LINE DRAWING NOT FOR PRODUCTION PURPOSES

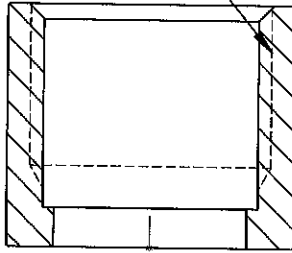
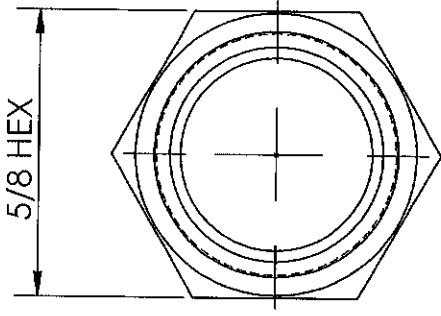
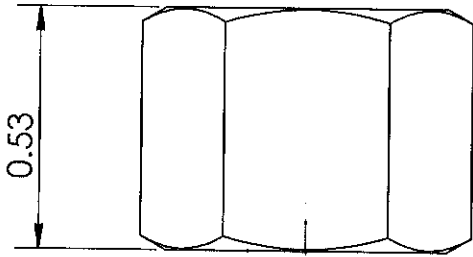


THRU HOLE DIA. .177

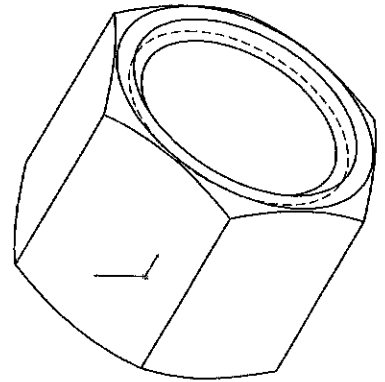


THIS DRAWING CONTAINS INFORMATION DEEMED PROPRIETARY TO DIXON BRASS AND IS TO BE USED ONLY FOR THE PURPOSE FOR WHICH IT IS SUBMITTED, AND FURTHER, SHALL NOT BE COPIED IN WHOLE OR IN PART WITHOUT EXPRESS WRITTEN PERMISSION FIRST OBTAINED FROM DIXON BRASS, UNLESS OTHERWISE SPECIFIED.		DRAWN P. MONAGHAN	DATE 2/27/14
DIMENSIONS ARE IN INCHES TOLERANCES: ANGLES: $\pm 0^{\circ}30'$.X ($\pm .010$) .XX ($\pm .010$) .XXX ($\pm .005$) DIMENSIONS PER ANSI Y14.5		APPROVED	DATE
Dixon Brass Westmont, Illinois USA		ECO NO.	DATE
TITLE: 1/4 SWIVEL STEM BALL TYPE		DRAWING NOT REPRODUCED TO SCALE	
SIZE A	DWG. NO. 1240404S	REV	E

LINE DRAWING NOT FOR PRODUCTION PURPOSES



(THRU HOLE DIA.) $\varnothing 0.42$



THIS DRAWING CONTAINS INFORMATION DEEMED PROPRIETARY TO DIXON BRASS AND IS SO TO BE USED ONLY FOR THE PURPOSE FOR WHICH IT IS SUBMITTED, AND FURTHER, SHALL NOT BE COPIED IN WHOLE OR IN PART WITHOUT EXPRESS WRITTEN PERMISSION FIRST OBTAINED FROM DIXON BRASS, UNLESS OTHERWISE SPECIFIED.		DRAWN P. MONAGHAN DATE 2/27/14	
DIMENSIONS ARE IN INCHES		APPROVED ECO NO.	
TOLERANCES: ANGLES: 30° X (+.010) XX (+.010) XXX (+.005)		Dixon Brass Westmont, Illinois USA	
DIMENSIONS PER ANSI Y14.5		DRAWING NOT REPRODUCED TO SCALE	
TITLE: FEMALE SWIVEL NUT 1/4 - 18 NPSM		SIZE A	REV B
		DWG. NO. 1240604N	